



Large Portable Workstation Assembly Guide

Safety Information

When unpacking, make sure that the product is intact and undamaged. If any parts are missing or broken, please call Realityworks Product Support 1.800.830.1416 or email at productsupport@realityworks.com. See Safety Information on last page of this guide/manual.

⚠ WARNING

Read this material before using this product. Failure to do so can result in serious injury. SAVE THIS MANUAL.

Specifications

- Width: 54" (1374mm)
- Depth: 23" (585mm)
- Height: 66.7" (1695mm)
- Weight: 281lbs (127.5kg)
- Maximum Weight Capacity: 750lbs (340kg)

Tools Required (not included)

- 10mm Open End Wrench
- 14mm Open End Wrench
- 4mm Hex Wrench
- 2.5mm Hex Wrench
- 8mm Hex Wrench

Parts Included

PRODUCT PARTS:

- A) Cabinet
- B) Grated Surface
- C) Bottle Mount (2)
- D) Cable Hangar (2)
- E) Lower Floor Support (2)
- F) Grated Surface Standoff (6)
- G) Large Wheel (2)
- H) Handle
- I) Castor Wheel (2)
- J) Chain (2)
- K) Curtain Back Frame
(May come assembled with Part Z & AA)
- L) Curtain Side Frame (2)
(May come assembled with Part Y & AA)
- M) Curtain Frame Braces (2)
- N) Floor Plate

WASHERS, BOLTS, & ACCESSORIES

- O) M12x100mm Button Head Bolt (6)
- P) Large Washer (4)
- Q) Small Washer (2)
- R) M6x10mm Hex Head Bolt (8)
- S) M6x10mm Button Head Bolt (17)
- T) M6 Nuts (8)
- U) M6x36mm Button Head Bolts (8)
- V) M6x30mm Button Head Bolt (8)
- W) M4x10mm Button Head Bolt (4)
- X) M8x10mm Hex Head Bolt (2)
- Y) Small Curtain (2)
- Z) Large Curtain
- AA) 6" Black Cable Ties

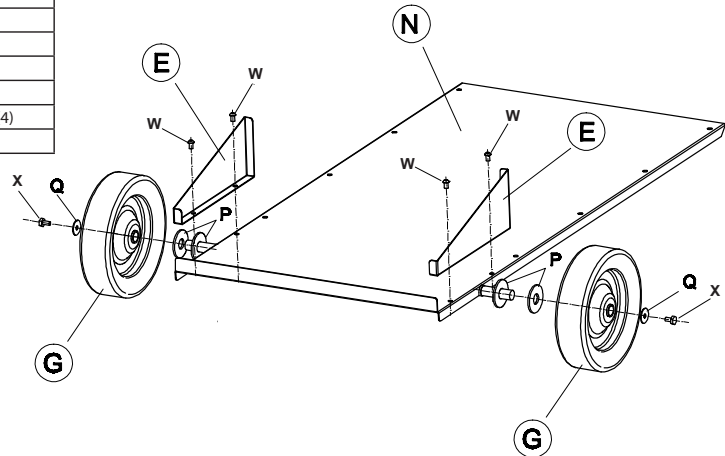


Assembly of Large Wheels to Floor Plate

Required Materials	Required Tools (Not Included)	Parts Needed:
	2.5mm Hex Wrench	E. Lower Floor Support (2)
	14mm Open End Wrench	G. Large Wheels (2)
		N. Floor Plate
		P. Large Washers (2)
		Q. Small Washers (2)
		W. M4x10mm Button Head Bolt (4)
		X. M8x10mm Hex Head Bolt (2)

Slide two (2) Large Washers (P) onto Floor Plate (N) axles, then slide one (1) Large Wheel (G) on per axle. Secure each wheel using one (1) M8x10mm Hex Head Bolt (X), by sliding on a Small Washer (Q) onto Hex Head Bolt (X) first, then attach the bolt through the Large Wheel (G) to the Floor Plate (N) with the 14mm Open End Wrench. Tighten till snug.

Place one (1) Lower Floor Support (E) flange inward facing, onto the top of the lower plate and secure using two (2) M4x10mm Button Head Bolts (W). Tighten using a 2.5mm Hex Wrench. Repeat to install the other support.

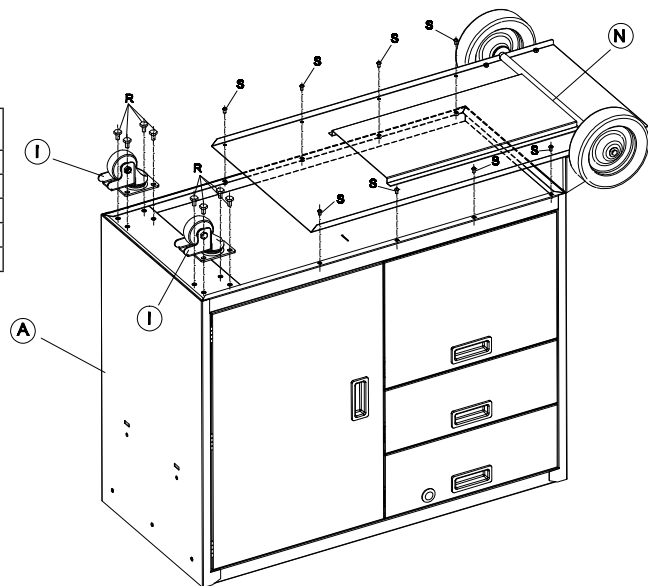


Assembly of Castor Wheels, Large Wheels and Floor Plate

Required Materials	Required Tools (Not Included)	Parts Needed:
	4mm Hex Wrench	A. Cabinet
	10mm Open End Wrench	I. Castor Wheels (2)
		N. Floor Plate
		R. M6x10mm Hex Head Bolt (8)
		S. M6x10mm Button Head Bolt (8)

With the Cabinet (A) turned over, position completed Floor Plate (N) over bottom of Cabinet, align the 8 holes in Floor Plate with Cabinet holes. Secure using 4mm Hex Wrench and eight (8) M6x10mm Button Head Bolts (S).

Position two (2) Castor Wheels (I) over hole patterns located on the bottom of the Cabinet. Secure using 10mm Open End Wrench and eight (8) M6x10mm Hex Head Bolts (R).

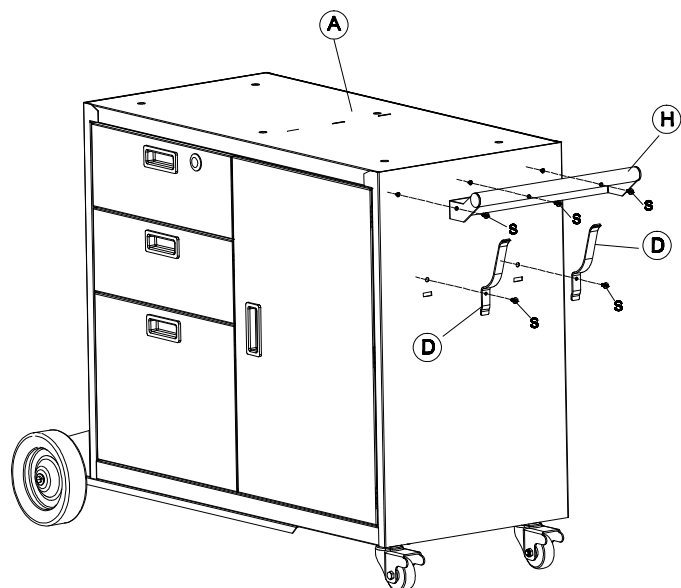


Assembly of Cable Hangers and Handle

Required Materials	Required Tools (Not Included)	Parts Needed:
	4mm Hex Wrench	A. Cabinet
		D. Cable Hangar (2)
		H. Handle
		S. M6x10mm Button Head Bolt (5)

With the Cabinet (A) upright, locate the slots on the side. Position each Cable Hangar (D) into slots and secure with two (2), M6x10mm Button Head Bolts (S), one for each cable hanger on the side of the cabinet.

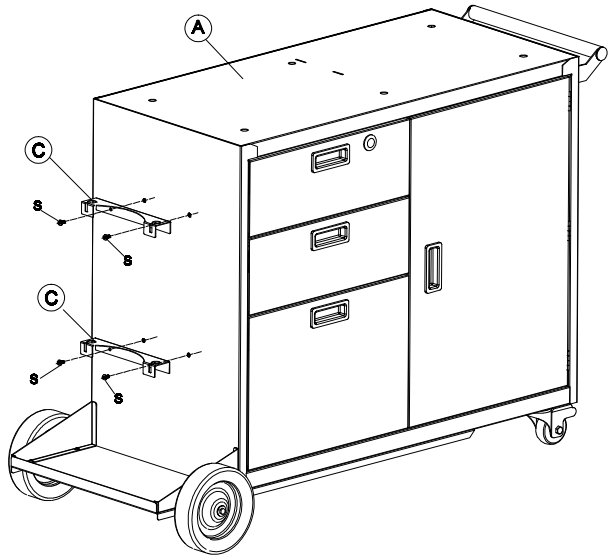
Locate and position Handle (H) over the holes located on the same side of the Cabinet. Secure Handle using three (3) M6x10mm Button Head Bolts (S).



Assembly of the Bottle Mount

Required Materials	Required Tools (Not Included)	Parts Needed:
	4mm Hex Wrench	A. Cabinet
		C. Bottle Mounts (2)
		S. M6x10mm Button Head Bolt (4)

On the side of the Cabinet (A), locate holes for bottle mounts. Attach two (2) Bottle Mounts (C) using the 4mm Hex Wrench and four (4) M6x10mm Button Head Bolts (S), using two (2) Button Head Bolts (S) per Bottle Mount (C).



Assembly of the Welding Surface Welding Screen Enclosure and Welding Curtains

Locate six (6) Grated Surface Standoffs (F). Position over the holes on the top of the Cabinet (A). Center Grated Surface (B) over the top of the standoffs (see NOTE below). Secure Grated Surface (B) to the Cabinet (A) using the six (6) M12x100mm Button Head Bolts (O) and 8mm Hex Wrench.

NOTE: Small holes are located on the back side of the Grated Surface (B) for the Curtain Back Frame (K) to be secured to. Ensure the small holes are on the opposite side of the drawers and cabinet door when installing the Grated Surface (B).

Position Curtain Back Frame (K) at the back of the Grated Surface (B) and loosely attach four (4) M6x30mm Button Head Bolts (V). Curtain should be facing outward.

NOTE: Do not fully tighten at this time; this will be done after the Curtain Back Frame (K), Curtain Side Frames (L), and Curtain Frame Braces (M) are installed.

Install the two (2) Curtain Side Frames (L) to the Grated Surface (B) using four (4) M6x30mm Button Head Bolts (V); two (2) bolts per Curtain Frame (L) to Grated Surface (B). Use the 4mm Hex Wrench to tighten, curtain should be facing outward.

NOTE: Small holes are located on the Curtain Side Frames (L), position the holes to be located in the upper back corner when installing.

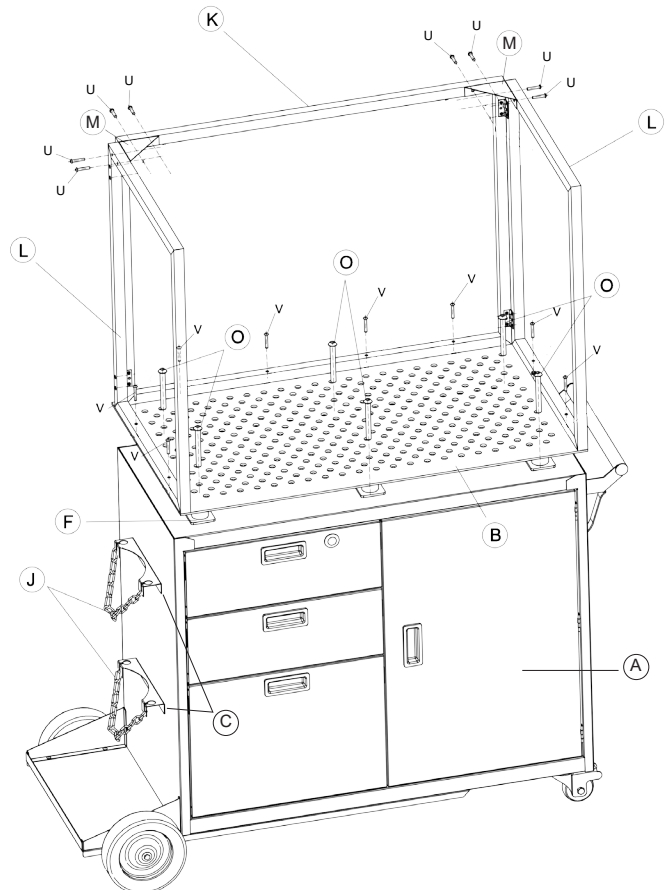
Install the two (2) Curtain Frame Braces (M) to the top corners of the Curtain Back Frame (K) and back of the Curtain Side Frames (L) with eight (8) M6x36mm Button Head Bolts (U), four (4) for each side. Slide Button Head Bolts (U), starting from outside of the curtain frame inward, through provide holes on the top of the Curtain Back Frame (K) and Curtain Side Frames (L). Slide Button Head Bolts (U) through the Curtain Frame Brace (M) as far as it will go (see diagram). Screw M6 Nut (T) to the Button Head Bolt (U) on the inside of the Curtain Frame Brace. Use the 4mm Hex Wrench and 10mm Open End Wrench and fully tighten all parts of assembly.

If applicable (curtains may come pre-assembled):

Position the Large Curtain (Z) over Curtain Back Frame (K) and secure with the Black Cable Ties (AA). Repeat with Small Curtains (Y).

Attach two (2) Chains (J) to Bottle Mounts (C).

Required Materials	Required Tools (Not Included)	Parts Needed:
	4mm Hex Wrench	A. Cabinet
	18mm Hex Wrench	B. Grated Surface
	10mm Open End Wrench	F. Grated Surface Standoffs (6)
		K. Curtain Back Frame
		L. Curtain Side Frame (2)
		M. Curtain Frame Braces (2)
		O. M12x100mm Button Head Bolt (6)
		T. M6 Nuts (8)
		U. M6x36mm Button Head Bolts (8)
		V. M6x30mm Button Head Bolts (8)
		Y. Small Curtain
		Z. Large Curtain
		AA. 6" Black Cable Ties



Safety Information

Assembly Precautions:

1. Assemble only according to these instructions. Improper assembly can create hazards.
2. Wear ANSI-approved safety goggles during assembly.

Precautions:

1. We shall in no event be liable for death or injuries to persons or property, or for incidental, contingent, special or consequential damages arising from the use of our products.
2. This product is not a toy. Do not allow children to play with or near this item.
3. Use as intended only.
4. Inspect before every use; do not use if parts are loose or damaged.
5. Use only on flat, level, hard surfaces.
6. Maintain product labels and nameplates.

Maintenance:

1. BEFORE EACH USE: inspect the general condition of the product. Check for:
 - Loose hardware
 - Misalignment or binding of parts
 - Cracked or broken parts
 - Any other condition that may affect its safe operation
2. AFTER USE: wipe external surfaces of the product with a clean cloth.

Repair:

The manufacturer and/or distributor has provided the parts list and assembly diagram in this document as a reference tool only. The buyer assumes all risk and liability arising out of his or her repairs to the original product or replacement parts thereafter.

NEED MORE HELP?

Additional Help and Information

Online Product Support

We're here to help! Our online Product Support features video tutorials, downloadable documents, frequently asked questions and product notices, all of which make it easy for you to get support for products, software and more, day or night. Find our online product support area here: <http://www.realityworks.com/support/>

Online Store

Supplies, accessories, select simulators, curriculum and more are available for purchase from our online store 24 hours a day! Find our online store here: <http://store.realityworks.com>