



Small Portable Workstation Assembly Guide

Safety Information

When unpacking, make sure that the product is intact and undamaged. If any parts are missing or broken, please call Realityworks Product Support at 1.800.830.1416 or email at productsupport@realityworks.com as soon as possible. Before assembly, read all Safety Information on the last page this guide.

⚠ WARNING

Read this material before using this product. Failure to do so can result in serious injury. SAVE THIS MANUAL.

Specifications

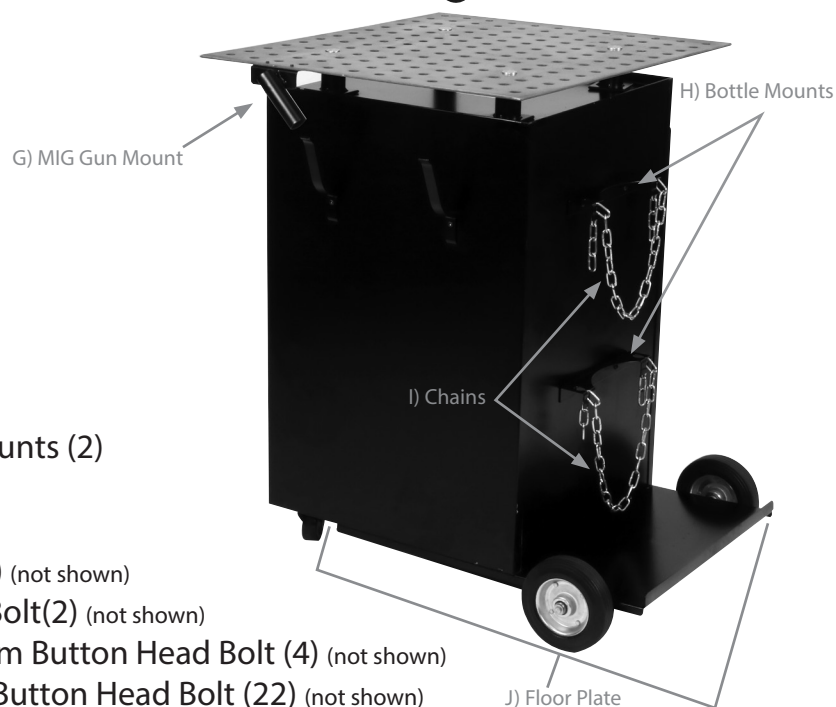
- Width: 28.7" (730mm)
- Depth: 34" (864mm)
- Height: 36.1" (918mm)
- Weight: 178lbs (81kg)
- Maximum Weight Capacity: 250lbs (113kg)
- Approximate Assembly Time: 30 minutes

Tools Required (not included)

- 10mm Open End Wrench
- 4mm Hex Wrench
- 8mm Hex Wrench
- Grease

Parts Included

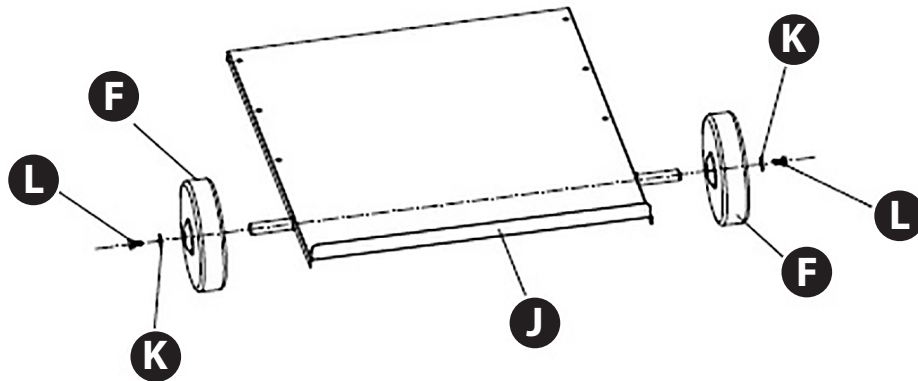
- | | |
|---------------------------------|--|
| A) Grated Surface | H) Bottle Mounts (2) |
| B) Cabinet | I) Chains (2) |
| C) Grated Surface Standoffs (4) | J) Floor Plate |
| D) Cable Hangars (2) | K) Washer (2) (not shown) |
| E) Caster Wheels (2) | L) 6x12mm Bolt(2) (not shown) |
| F) Large Wheels (2) | M) 12x100mm Button Head Bolt (4) (not shown) |
| G) MIG Gun Mount | N) 6x10mm Button Head Bolt (22) (not shown) |



Assembly of Floor Plate

Place a small amount of grease on each axle, then attach the two Large Wheels (F) onto the Floor Plate (J) and place the Washers (K) on before adding the 6x12mm Bolts (L). Tighten the bolts completely with the 10mm open end wrench. Do not over tighten.

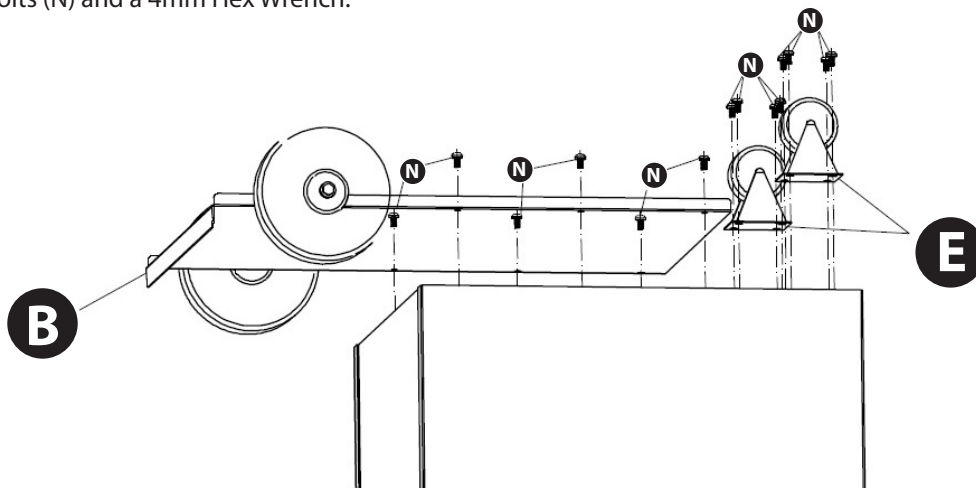
Required Materials	Required Tools (Not Included)	Parts Needed:
	10mm Open End Wrench	J- Floor Plate
	Grease	F- Large Wheel (2)
		K- Washer (2)
		L- 6x12mm Bolt (2)



Assembly of Floor Plate to Cabinet

Turn the Cabinet (B) upside down. Attach the assembled Floor Plate to the Cabinet (B). Attach the Caster Wheels (E) to the front of the Cabinet (where the drawers are located) using eight 6x10mm Button Head Bolts (N) and a 4mm Hex Wrench. Attach the Floor Plate Assembly to the Cabinet using six 6x10mm Button Head Bolts (N) and a 4mm Hex Wrench.

Required Materials	Required Tools (Not Included)	Parts Needed:
	4mm Hex Wrench	B- Cabinet
		E- Caster Wheels
		N- 6x10mm Button Head Bolts (14)
		Assembled Floor Plate

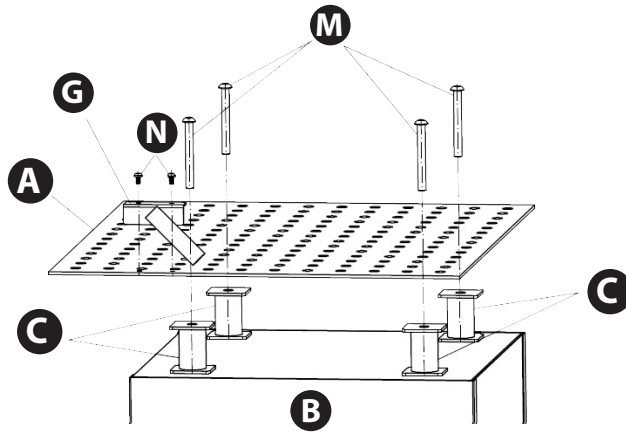


Assembly of the Grated Surface to Cabinet

Turn the Cabinet (B) right side up. Place the four Grated Surface Standoffs (C) on the four holes located on the top of the Cabinet surface. Place the Grated Surface (A) on the Grated Surface Standoffs (C) to center the Grated Surface on the Cabinet (small holes for MIG Gun Mount should be on the right side in location to the front of the cabinet). Using the 8mm Hex Wrench, screw the four 12x100mm Button Head Bolts (M) through the Grated Surface and through the Grated Surface Standoffs to the Cabinet. Screw in the MIG Gun Mount (G) on the side with the two 6x10mm Button Head Bolts (N) and a 4mm Hex Wrench.

NOTE: make sure the back edge of the weld surface aligns with the back edge of the cabinet. Center the weld surface from side to side.

Required Materials	Required Tools (Not Included)	Parts Needed:
	4mm Hex Wrench	A- Grated Surface
	8mm Hex Wrench	B- Cabinet
		C- Grated Surface Standoffs (4)
		G- MIG Gun Mount
		M- 12x100mm Button Head Bolts (4)
		N- 6x10mm Button Head Bolts (2)



Assembly of the Cable Hangers and Bottle Mount to the Cabinet

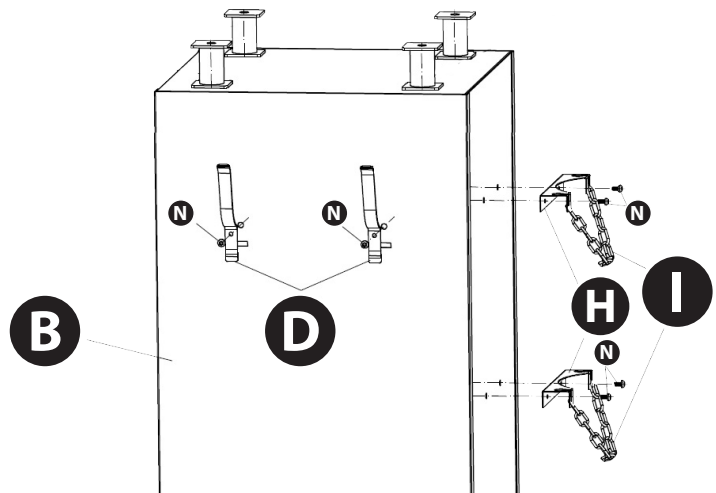
CABLE HANGERS:

Locate two slots on the side of the Cabinet (B). Screw in 6x10mm Button Head Bolts (N) into the Cable Hangers (D) using a 4mm Hex Wrench; two total, one per Cable Hanger.

BOTTLE MOUNT:

On the back of the Cabinet (B), where the Floor Plate juts out from the Cabinet, screw in two 6x10mm Button Head Bolts (N) using a 4mm Hex Wrench, into each Bottle Mount (H). There are two Bottle Mounts. Add one Chain (I) to each Bottle Mount.

Required Materials	Required Tools (Not Included)	Parts Needed:
	4mm Hex Wrench	H- Bottle Mount (2)
		D- Cable Hanger (2)
		I- Chains (2)
		B- Cabinet
		N- 6x10mm Button Head Bolt (6)



Safety Information

Assembly Precautions:

1. Assemble only according to these instructions. Improper assembly can create hazards.
2. Wear ANSI-approved safety goggles during assembly.

Precautions:

1. We shall in no event be liable for death or injuries to persons or property, or for incidental, contingent, special or consequential damages arising from the use of our products.
2. This product is not a toy. Do not allow children to play with or near this item.
3. Use as intended only.
4. Inspect before every use; do not use if parts are loose or damaged.
5. Use only on flat, level, hard surfaces.
6. Maintain product labels and nameplates.

Maintenance:

1. BEFORE EACH USE: inspect the general condition of the Product. Check for:
 - Loose hardware
 - Misalignment or binding of parts
 - Cracked or broken parts
 - Any other condition that may affect its safe operation
2. AFTER USE: wipe external surfaces of the product with clean cloth

Repair:

The manufacturer and/or distributor has provided the parts list and assembly diagram in this document as a reference tool only. The buyer assumes all risk and liability arising out of his or her repairs to the original product or replacement parts thereafter.

NEED MORE HELP?

Additional Help and Information

Online Product Support

We're here to help! Our online Product Support features video tutorials, downloadable documents, frequently asked questions and product notices, all of which make it easy for you to get support for products, software and more, day or night. Find our online product support area here: <http://www.realityworks.com/support/>

Online Store

Supplies, accessories, select simulators, curriculum and more are available for purchase from our online store 24 hours a day! Find our online store here: <http://store.realityworks.com>